



SABA BOROODAT SHELL & TUBE CONDENSERS TYPE : SC

Type SABA SC	Capacity *	Shell Side internal Volume	Weight	Tube Side internal Volume	Standard Water Connections	Standard Refrigerant inlet & outlet Connection	Actual Water Flow Rate **	Standard Water Passes	Water Side Pressure drop
	Kcal/hr	Lit.	Kg	Lit.	inch	inch	m ³ /hr	Pcs	Kpa
SC-30-200	25313	88	245	28	1 1/2	1	9	8	42.1
SC-30-300	37969	131	367	42	1 1/2	1	9	8	51.9
SC-30-400	50625	175	490	56	1 1/2	1 1/4	9	8	61.7
SC-30-500	63281	219	612	70	2	1 1/2	13	6	53.6
SC-30-600	75938	263	735	84	2 1/2	1 1/2	19	4	40.6
SC-40-200	47081	153	443	51	2	1 1/4	12	12	63.1
SC-40-300	70875	230	665	77	2	1 1/2	14	10	64.8
SC-40-400	94163	307	887	102	2 1/2	1 1/2	17	8	61.7
SC-40-500	117956	383	1108	128	3	2	23	6	53.6
SC-40-600	141750	460	1330	153	3	2	23	6	60.9
SC-50-200	81000	227	735	88	2 1/2	1 1/2	20	12	63.1
SC-50-300	121500	340	1102	132	3	2	24	10	64.8
SC-50-400	162000	453	1470	176	3	2	30	8	61.7
SC-50-500	202500	567	1837	220	3	2 1/2	40	6	53.6
SC-50-600	243000	680	2205	264	3	2 1/2	40	6	60.9
SC-60-300	179719	494	1507	195	4	2 1/2	35	10	64.8
SC-60-400	239456	658	2010	260	4	2 1/2	44	8	61.7
SC-60-500	299194	823	2512	325	4	3	59	6	53.6
SC-60-600	359438	987	3015	390	5	3	88	4	40.6
SC-70-300	250594	660	2103	271	4	3	49	10	64.8
SC-70-400	334125	880	2804	362	4	4	61	8	61.7
SC-70-500	417656	1100	3505	452	5	4	82	6	53.6
SC-70-600	501188	1320	4206	543	6	4	123	4	40.6
SC-80-300	334125	863	2666	362	4	3	66	10	64.8
SC-80-400	445500	1151	3555	483	5	4	82	8	61.7
SC-80-500	556875	1439	4444	603	6	4	109	6	53.6
SC-80-600	668250	1727	5333	724	8	5	163	4	40.6
SC-90-300	425250	1098	3282	463	5	4	84	10	64.8
SC-90-400	567000	1464	4376	617	5	4	104	8	61.7
SC-90-500	708750	1830	5470	771	6	5	139	6	53.6
SC-90-600	850500	2196	6565	926	8	5	208	4	40.6
SC-100-400	708750	1786	5531	770	5	5	130	8	61.7
SC-100-500	885938	2233	6913	963	6	5	173	6	53.6
SC-100-600	1063125	2679	8296	1155	6	5	173	6	60.9
SC-110-400	926438	2045	7112	1002	6	5	170	8	61.7
SC-110-500	1154250	2557	8890	1253	8	6	226	6	53.6
SC-110-600	1387125	3068	10668	1503	1	6	339	4	40.6
SC-120-400	1047938	2549	7957	1132	6	5	191	8	61.7
SC-120-500	1306125	3186	9946	1415	8	6	255	6	53.6
SC-120-600	1569375	3823	11935	1698	10	8	383	4	40.6

➤ All data subject to change without prior notice .

* Tabulated Capacities are for Ammonia at LMTD =7.5°c and water velocity of 1.5 m/s inside tubes. For other Refrigerants PLS contact SABA Head Office.

** Tabulated Actual Water Flow Rates are for LMTD =7.5°c , water inlet Temp = 20°c ,water outlet Temp =25°c , and condensing Temp=35°c .



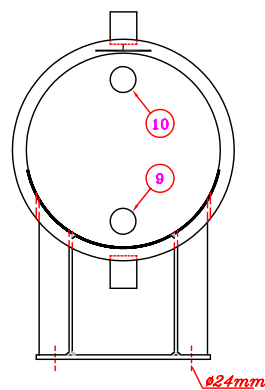
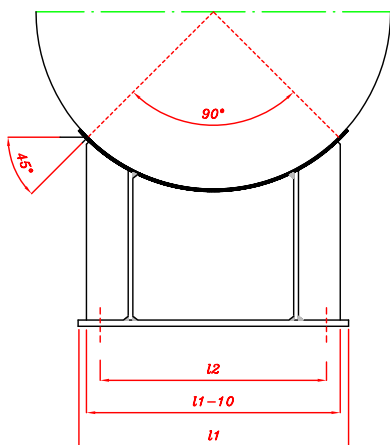
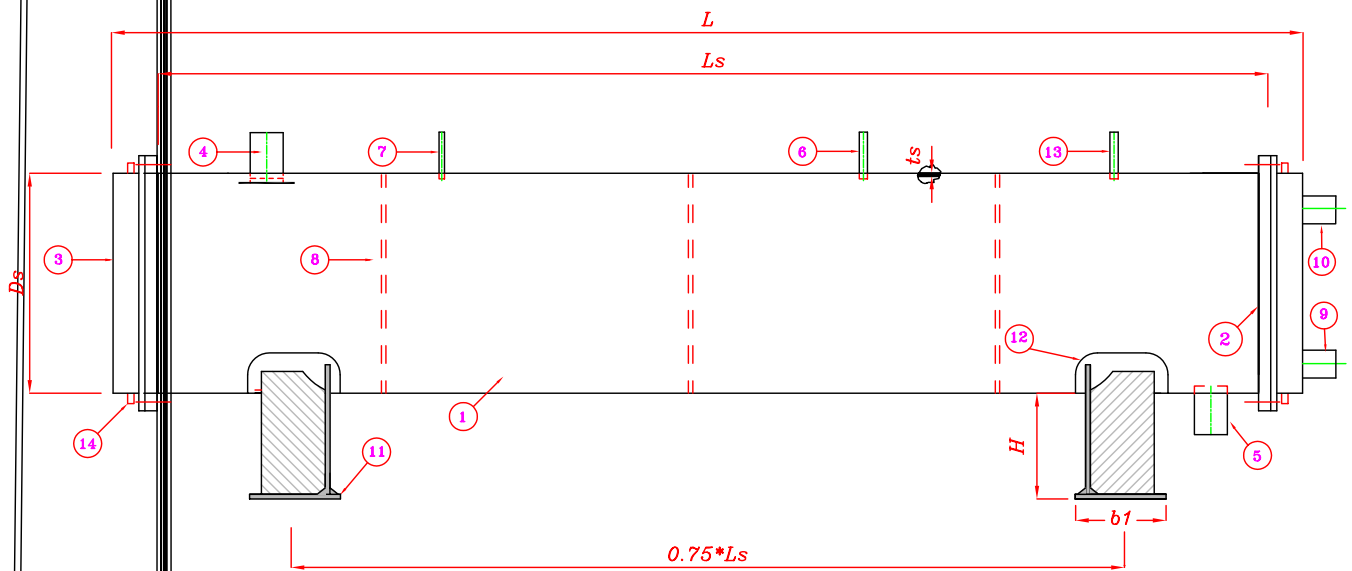
SABA BOROODAR SHELL & TUBE CONDENSERES TYPE : SC

Type SABA SC	Shell Diameter	Shell Length	Total Condenser Length	Shell Thickness	Dimensions								Gas Inlet		Water Inlet & Outlet		Liquid Outlet		Safety Valve	Air Purge Connection	Manometer Connection
					Ds	Ls	L	ts	I ₁	I ₂	H	b ₁	Max	Min	Max	Min	Max	No.			
					cm	cm	cm	mm	cm	cm	mm	cm	cm	mm	mm	inch	inch	inch			
SC-30-200	30	200	227	6	30	200	227	6	280	230	200	120	3	1 1/2	3	1 1/2	3	2	1	1/2	1/2
SC-30-300	30	300	327	6	30	300	327	6	280	230	200	120	3	1 1/2	3	1 1/2	3	2	1	1/2	1/2
SC-30-400	30	400	427	6	30	400	427	6	280	230	200	120	3	1 1/2	3	1 1/2	3	3	1	1/2	1/2
SC-30-500	30	500	530	6	30	500	530	6	280	230	200	120	3	1 1/2	3	1 1/2	3	4	1	1/2	1/2
SC-30-600	30	600	630	6	30	600	630	6	280	230	200	120	3	1 1/2	3	1 1/2	3	4	1	1/2	1/2
SC-40-200	40	200	227	8	40	200	227	8	350	300	200	120	3	2	4	1 1/2	3	2	1	1/2	1/2
SC-40-300	40	300	327	8	40	300	327	8	350	300	200	120	3	2	4	1 1/2	3	2	1	1/2	1/2
SC-40-400	40	400	427	8	40	400	427	8	350	300	200	120	3	2	4	1 1/2	3	3	1	1/2	1/2
SC-40-500	40	500	530	8	40	500	530	8	350	300	200	120	3	2	4	1 1/2	3	4	1	1/2	1/2
SC-40-600	40	600	630	8	40	600	630	8	350	300	200	120	3	2	4	1 1/2	3	4	1	1/2	1/2
SC-50-200	50	200	230	10	50	200	230	10	420	350	200	120	4	2	5	1 1/2	4	2	1	1/2	1/2
SC-50-300	50	300	330	10	50	300	330	10	420	350	200	120	4	2	5	1 1/2	4	2	1	1/2	1/2
SC-50-400	50	400	430	10	50	400	430	10	420	350	200	120	4	2	5	1 1/2	4	3	1	1/2	1/2
SC-50-500	50	500	530	10	50	500	530	10	420	350	200	120	4	2	5	1 1/2	4	4	1	1/2	1/2
SC-50-600	50	600	630	10	50	600	630	10	420	350	200	120	4	2	5	1 1/2	4	4	1	1/2	1/2
SC-60-300	60	300	330	10	60	300	330	10	500	350	200	120	5	2 1/2	6	2	5	2	1	1/2	1/2
SC-60-400	60	400	430	10	60	400	430	10	500	350	200	120	5	2 1/2	6	2	5	3	1	1/2	1/2
SC-60-500	60	500	540	10	60	500	540	10	500	350	200	120	5	2 1/2	6	2	5	4	1	1/2	1/2
SC-60-600	60	600	640	10	60	600	640	10	500	350	200	120	5	2 1/2	6	2	5	4	1	1/2	1/2
SC-70-300	70	300	330	12	70	300	330	12	600	450	200	120	5	3	8	2	5	2	1	1/2	1/2
SC-70-400	70	400	430	12	70	400	430	12	600	450	200	120	5	3	8	2	5	3	1	1/2	1/2
SC-70-500	70	500	540	12	70	500	540	12	600	450	200	120	5	3	8	2	5	4	1	1/2	1/2
SC-70-600	70	600	640	12	70	600	640	12	600	450	200	120	5	3	8	2	5	4	1	1/2	1/2

SABA BOROODAR SHELL & TUBE CONDENSERES TYPE : SC

Type SABA SC	Shell Diameter	Shell Length	Total Condenser Length	Shell Thickness	Dimensions								Gas Inlet		Water Inlet & Outlet		Liquid Outlet		Safety Valve	Air Purge Connection	Manometer Connection
					Ds	Ls	L	ts	l ₁	l ₂	H	b ₁	Max	Min	Max	Min	Max	No.			
					cm	cm	cm	mm	cm	cm	mm	mm	inch	inch	inch	inch	inch	Pcs			
SC-80-300	80	300	335	12	80	300	335	12	600	450	200	120	6	3	8	2	6	2	1	1/2	1/2
SC-80-400	80	400	440	12	80	400	440	12	600	450	200	120	6	3	8	2	6	3	1	1/2	1/2
SC-80-500	80	500	540	12	80	500	540	12	600	450	200	120	6	3	8	2	6	4	1	1/2	1/2
SC-80-600	80	600	640	12	80	600	640	12	600	450	200	120	6	3	8	2	6	4	1	1/2	1/2
SC-90-300	90	300	335	12	90	300	335	12	750	600	200	120	8	4	10	2 1/2	8	2	1	1/2	1/2
SC-90-400	90	400	440	12	90	400	440	12	750	600	200	120	8	4	10	2 1/2	8	3	1	1/2	1/2
SC-90-500	90	500	540	12	90	500	540	12	750	600	200	120	8	4	10	2 1/2	8	4	1	1/2	1/2
SC-90-600	90	600	640	12	90	600	640	12	750	600	200	120	8	4	10	2 1/2	8	4	1	1/2	1/2
SC-100-400	100	400	440	14	100	400	440	14	750	600	200	160	8	4	10	2 1/2	8	3	1	1/2	1/2
SC-100-500	100	500	545	14	100	500	545	14	750	600	200	160	8	4	10	2 1/2	8	4	1	1/2	1/2
SC-100-600	100	600	645	14	100	600	645	14	750	600	200	160	8	4	10	2 1/2	8	4	1	1/2	1/2
SC-110-400	110	400	445	16	110	400	445	16	900	750	200	160	10	5	12	3	10	3	1	1/2	1/2
SC-110-500	110	500	545	16	110	500	545	16	900	750	200	160	10	5	12	3	10	4	1	1/2	1/2
SC-110-600	110	600	645	16	110	600	645	16	900	750	200	160	10	5	12	3	10	4	1	1/2	1/2
SC-120-400	120	400	445	16	120	400	445	16	900	750	200	160	10	5	12	3	10	3	1	1/2	1/2
SC-120-500	120	500	545	16	120	500	545	16	900	750	200	160	10	5	12	3	10	4	1	1/2	1/2
SC-120-600	120	600	645	16	120	600	645	16	900	750	200	160	10	5	12	3	10	4	1	1/2	1/2

┌ All data subject to change without prior notice .



SPECIFICATION SHEET

Quantity : 1 Service : AMMONIA SHELL&TUBE CONDENSER

VESSEL SPECIFICATIONS		MATERIALS	
DESIGN PRESSURE	24 bar	SHELL	SA516GR70
HYDROSTATIC TEST PRESSURE	32 bar	SADDLE SUPPORT	ST 37.2
OPERATING TEMPERATURE	+35°C	ACCORDING TO DIN 28080	
CORROSION ALLOWANCE	2 mm		
MIN/MAX TEMPERATURE	-10°C/+57°C		
PNEUMATIC TEST PRESSURE	20 bar		

CODE REQUIREMENTS : BS 5500

NOZZLE SCHEDULE

ITEM	QTY	DESCRIPTION	MATERIAL
1	1	SHELL	HII
2	2	TUBE SHEET	HII
3	2	FRONT & REAR COVERS	ST37.2
4	1	H.G INLET CONECTION	SCH40
5	1	LIQUID OUTLET CONECTION	SCH40
6	1	MONOMETER CONECTION	SCH40
7	1	SAFETY VALVE CONECTION	SCH40
8	-	TUBE SUPPORT	SCH40
9	1	WATER INLET CONECTION	SCH40
10	1	WATER OUTLET CONECTION	SCH40
11	2	STAND	ST37.2
12	2	REINFORCEMENT PLATE	ST37.2
13	1	AIR PURGE CONECTION	SCH40
14	4	WATER VENT & DRAIN	SCH40

SABA BOROODAT

TEHRAN-IRAN

TEL&FAX:+21-8793827-8788791-8885341
EMAIL:SABA_BOROODAT@HOTMAIL.COM

Engineering Data
For SC Condenser

